

Isolated Barrier

GS8272-EX.AMR
GS8272-EX.AM
GS8272-EX.AR
GS8272-EX.MR

GYB13.1904



Please read the instruction manual carefully before use the product, and please safekeeping.

Caution

- Please check whether the product type on the package accords to the ordering contract;
- Read this manual carefully before installation or using. If there is something unclear, please dial technic support hotline-400 881 0780;
- Isolated barrier should be located in the safe area;
- Supply voltage is 24VDC, 220VAC is forbidden;
- Users are not allowed to dismantle or repair the barrier otherwise it will induce malfunction.

SHANGHAI CHENZHU INSTRUMENT CO.,LTD.



Add: Building 6, 201 Minyi Road, Caohejing Hi-Tech Park
Songjiang New Industrial Park, Shanghai 201612, P.R. China
Tel : +86-21-64513350 Fax : +86-21-64846984
Email : chenzhu@chenzhu-inst.com
http://www.chenzhu-inst.com

Summarize

Isolated barrier,with Single channel analog input and multi-functional output, transfer 4~20mA signal which linearly converted by thermal resistance or thermal couple in fidd from hazardous area to safe area isolatedly , at the same time, provide one channel of RS-485 bus output which based on MODBUS-RTU protoal and two channels of relay alarm output. power supply and RS-485 can be connected with rail ,current and relay output only be connected with terminds.input and output isolation.The product needs an independent power supply.

Specification

Number of channels: 1

Supply voltage: 20~35V DC

Current consumption: ≤40mA (GS8272-EX.AMR,GS8272-EX.AR)
≤35mA (GS8272-EX.AM,GS8272-EX.MR)

Notes: suffix "A"-one 4~20mA output
suffix "M"-one RS-485 output(ModbusRTU)
suffix "R"- two-channels relay alarm output

Safe-area output:

Current: 4~20mA; load resistance: $R_L \leq 300\Omega$

Response time: ≤1.5s

Transfer accuracy: 0.1%F.S.

Temperature drift: 0.01%F.S./°C

Cold junction compensation: ±1°C(-20°C~+60°C)

RS-485: communication protocol: MODBUS-RTU,default address 1,
Can be configured

Communication distance: ≤1000m

Number of slaves: ≤32

Communication parameters: baudrate 9.6kbps, databit 8,
stopbit 1, even parity

Response time: ≤0.5s

Measurement error: 0.1%F.S.

Relay: Number of channels: 2

Drive ability: resistive load, 250V AC,2A or 30V DC,2A

Response time: ≤0.5s

Alarm limits and dead-zone:

Relay 1: output current<3.8mA, dead-zone 0.003mA

Relay 2: output current>20.8mA, dead-zone 0.003mA

Alarm instructions: see the table below

Sta.	LED L	LED H	Relay 1	Relay 2
Normal	OFF	OFF	OFF	OFF
Exceed lower limit of range	Flashing(slow)	OFF	OFF	OFF
Exceed upper limit of range	OFF	Flashing(slow)	OFF	OFF
Exceed lower limit of alarm	Flashing(fast)	OFF	ON	OFF
Exceed upper limit of alarm	OFF	Flashing(fast)	OFF	ON
Disconnection alarm	OFF	Normally ON	OFF	ON
Short circuit alarm	Normally ON	OFF	ON	OFF

Note: when disconnection alarm, default output current 21mA; when short circuit alarm, default output current 3mA, customers can be configure on its own.

Hazardous-area input:

Type	Range	Min.span	Accuracy	
TC	T	-200°C ~+400°C	50°C	0.5%/0.1%
	E	-200°C ~+900°C	50°C	0.5%/0.1%
	J	-200°C ~+1200°C	50°C	0.5%/0.1%
	K	-200°C ~+1372°C	50°C	0.5%/0.1%
	N	-200°C ~+1300°C	50°C	0.5%/0.1%
	R	-40°C ~+1768°C	500°C	1.5%/0.1%
	S	-40°C ~+1768°C	500°C	1.5%/0.1%
	B	+320°C ~+1820°C	500°C	1.5%/0.1%
RTD	Pt100	-200°C ~+850°C	20°C	0.2%/0.1%
	Cu50	-50°C ~+150°C	20°C	0.2%/0.1%
	Cu100	-50°C ~+150°C	20°C	0.2%/0.1%

Note:

1. Should take a bigger of relative error and absolute error as the output accuracy in application.

2. TC input, transfer accuracy not contain cold junction compensation error.

3. When TC input dedicated CJC terminals, need to be used.

Power supply protection: Protect the barrier from reverse supply voltage destroy

Electromagnetic compatibility: According to GB/T 18268(IEC 61326-3-1)

Dielectric strength:

Between non-intrinsically safe part and intrinsically safe part $\geq 2500VAC$

Between power supply part and non-intrinsically safe part $\geq 500VAC$

Insulation resistance:

Between non-intrinsically safe part and intrinsically safe part $\geq 100M\Omega$

Between power supply part and non-intrinsically safe part $\geq 100M\Omega$

Weight: Approx.150g

Suitable location: Mounting in non-hazardous area, and connected to the IS apparatus in zone 0 hazardous area.

Suitable IS apparatus:

2-/3-wire thermal resistance, thermal couple.

Operation Conditions

(1). The air should not contain any medium corrupting the coat of chrome,nickel and silver.Moreover,violent quiver and impact or any cause of electromagnetic induction (such as big current or spark,etc.)must be avoided when using.

(2). Operating temperature: $-20^{\circ}C \sim +60^{\circ}C$

(3). Storage temperature: $-40^{\circ}C \sim +80^{\circ}C$

(4). Relative humidity: 10%~90%

Intrinsic safety description

National Supervision and Inspection Center for Explosion Protection and Safety of Instrumentation (NEPSI)

Compliance with standard: GB3836.1, GB3836.4 and GB3836.20

Ex-marking: [Ex ia Ga] IIC

maximum voltage: $U_m=250V$

Intrinsic safety parameter:(9,10,11 terminals)

$U_0=6.6V$, $I_0=5mA$, $P_0=9mW$

IIC : $C_0=22\mu F$, $L_0=100mH$

IIB : $C_0=66\mu F$, $L_0=300mH$

IIA : $C_0=176\mu F$, $L_0=800mH$

Largest external capacitance (C_0) and inductance (L_0) numerical attention when using the following requirements:

(1) For distributed inductance and capacitance e.g. as in a cable, allow the values of capacitance and inductance;

(2) For circuits containing up to 1 % inductance or up to 1% capacitance with a cable, allow the values of capacitance and inductance;

(3) For connection of the combined inductance and capacitance where both are greater than 1% of the allowed value (excluding the cable), allow up to 50% each of the values of capacitance and inductance.

Intrinsic safety explosion protection loop system

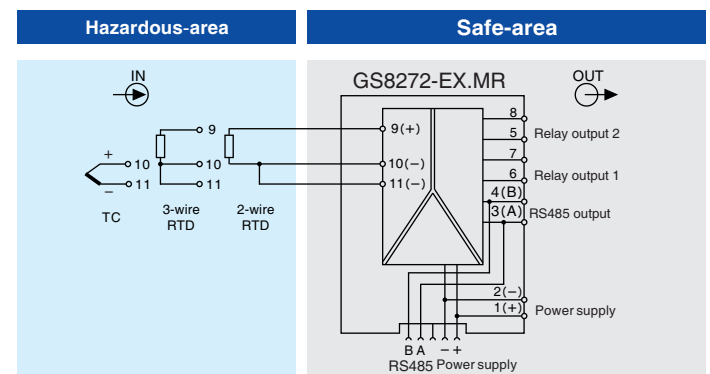
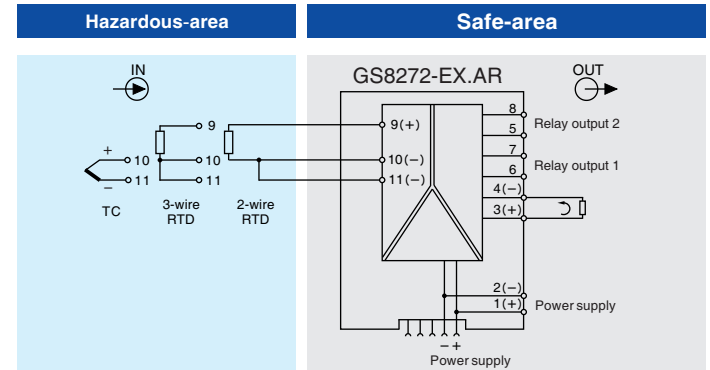
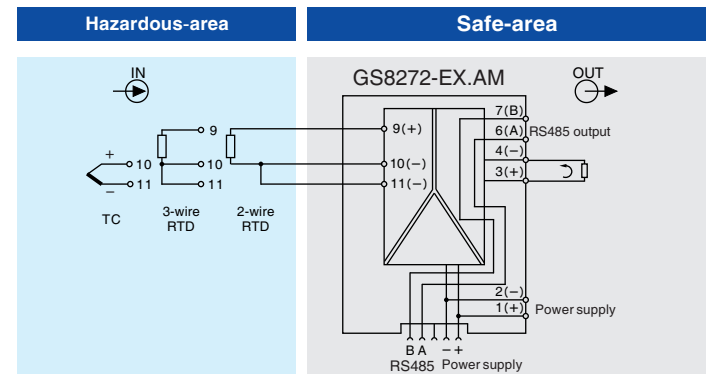
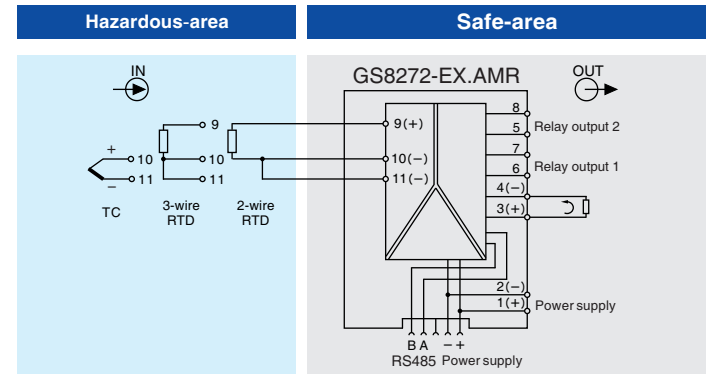
Special requirements have to be confirmed before using the intrinsically safe explosion loop system(intrinsically circuit) which connected by isolated barrier and intrinsically safe apparatus in field:

(1) The explosion level of intrinsically safe apparatus should meet the requirements of operation conditions. The apparatus should pass the explosion protection test and get the certificate by state-authorized explosion-proof product certification bodies.

(2) The intrinsic safety parameters of isolated barrier and intrinsically safe apparatus both are sure, and comply with 12.2.5 of GB 3836.15-2000.

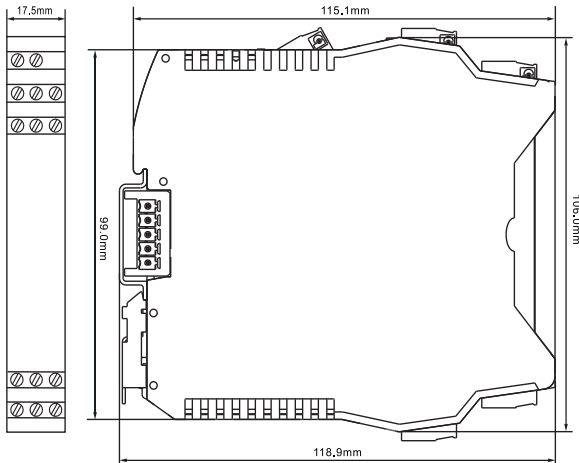
(3) If any parameters are unclear, the system has to be confirmed by state-authorized explosion-proof product certification bodies.

Application



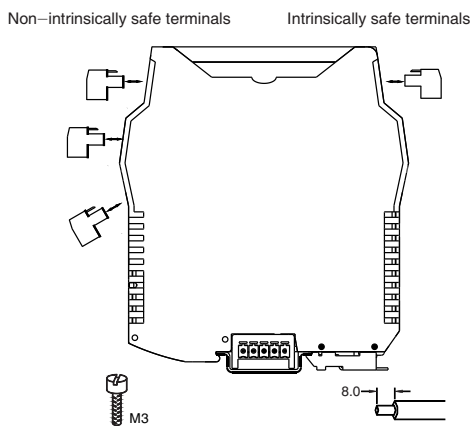
■ Dimensions

118.9mm×106.0mm×17.5mm



■ Connections

- (1). This barrier adopts knock-down connector with screw terminals. The intrinsically safe (IS for short) terminals (blue plugs) should be connected to hazardous area devices and the non-IS ones (green plugs) to the safe area devices.
- (2). Choose for the hazardous area the blue-marked wires. Its minimum cross section area should be 0.5 mm^2 , and minimum dielectric strength should be 500V.
- (3). The wirings in safe area and hazardous area must be separated, and both have protection bushes.
- (4). A length of 8mm bared wire is locked by the M3 bolt. See as shown below.



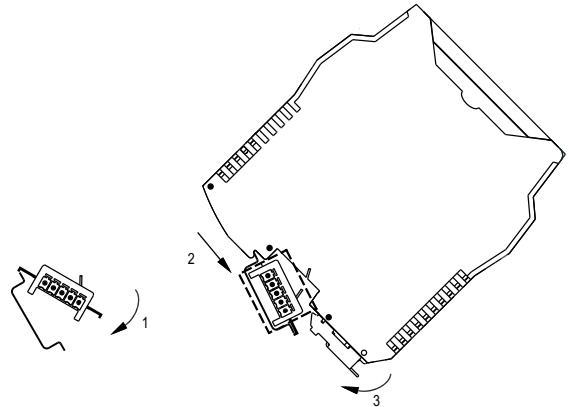
■ Installation

The isolated barrier should be located at safe area, according to the related requirements in IEC60079-17(EN60079-17) and IEC60079-19(EN60079-19).

GS8500-EX series isolated barrier are designed for mounting on 35mm DIN guide rail.

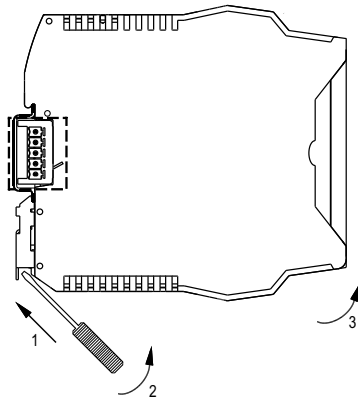
Installation according to the following steps:

- (1). First make the bus-powered outlet locked into the guide rail; (If no bus-powered function, omit this step);
- (2). Make the upside of the barrier locked into the guide rail;
- (3). Push the downside of the barrier in the rail.



■ Disassembly

- (1). Insert a screwdriver (its edge length $\leq 6\text{mm}$) into the downside metal lock of the barrier;
- (2). Push the screwdriver upwards, then prize the metal lock downwards;
- (3). Take the barrier out of the guide rail.



■ Maintenance

- (1). Before using, please check again whether the module's Ex-proof rating accords to the operation conditions, and also wiring and polarity are correct.
- (2). It is disallowable to test insulativity among the terminals with a megameter. If necessary, the wires must be cut off before testing, or the internal fuse would blow.
- (3). Every product has been test strictly before leaving factory. If users find any abnormality in the module, please contact the nearest agent or our company.
- (4). In 5 years from the delivery date, if the product works improperly during normal operation, we will repair or replace it without payment.