

5V Signal Circuits SPD(L-G Fine Protection)

Features

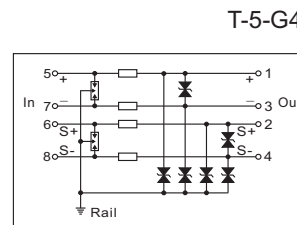
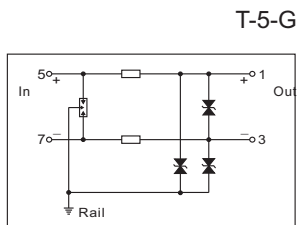
- 12.5mm ultra-thin
- Hot pluggable
- SPD module can be tested individually
- Easy to maintain
- Suitable for thermocouple, thermal resistor,CAN, RS-485, RS-422, etc.(L-G isolation voltage<500V)
- Grounded via DIN 35mm rail

Technical Data

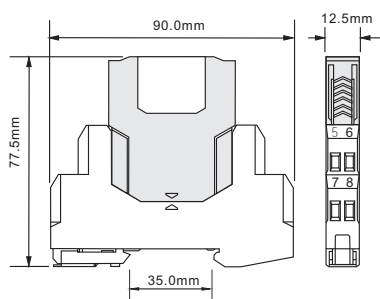
	2-wire	3-wire,4-wire
Nominal operating voltage Un	5V	5V
Max. continuous operating voltage Uc	6V	6V
Nominal operating voltage IL	800mA	800mA
Nominal discharge current In(8/20μs)	10kA	10kA
Max. discharge current Imax(8/20μs)	20kA	20kA
Impulse current Iimp(10/350μs)	2.5kA	2.5kA
Total impulse current(10/350μs)	5kA	10kA
Voltage protection level Up(8/20μs)	(L-L,L-G) 40V / 40V	40V / 40V
Voltage protection level Up(1kV/μs)	(L-L,L-G) 20V / 20V	20V / 20V
Bandwidth(-0.5dB)	10MHz	10MHz
Response time	1ns	1ns
Resistance	1Ω	1Ω
Leakage current	<3μA	<3μA
Housing protection grade(accord with IEC60529)	IP 20	IP 20
Housing material / inflammability grade(UL94)	PA66 / V0	PA66 / V0
Testing standard	GB/T 18802.21 / IEC 61643-21	GB/T 18802.21 / IEC 61643-21

Certification

Functional safety certification	SIL3	SIL3
Lighting protection performance test		Shanghai Lightning Protection Center

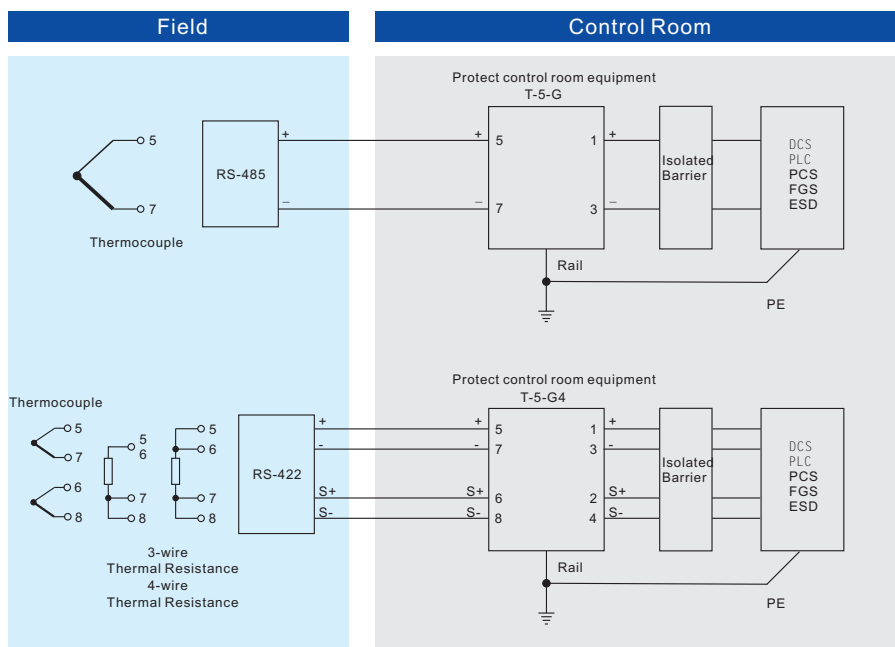


Dimensions



SIL3
IEC61508

Typical application



Shanghai Lightning Protection Center
Lighting protection performance test



China Quality Certification Center
CQC Identification