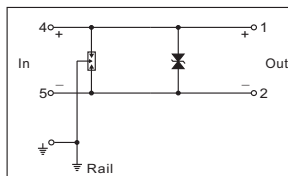


Features

- 7.6mm ultra-thin
- Grounded via ground terminal or DIN 35mm rail
- Suitable for 24V power supply ,solenoid valve. etc.

CZLB-24P



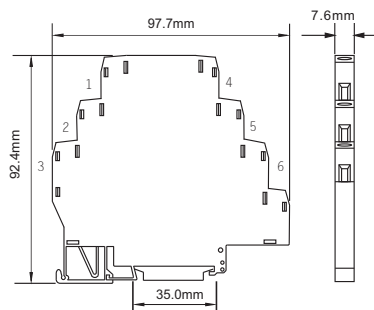
Technical Data

| | |
|--|------------------------------|
| Nominal operating voltage U_n | 24V |
| Max. continuous operating voltage U_c | 36V |
| Nominal operating voltage I_L | 16A |
| Nominal discharge current $I_n(8/20\mu s)$ | (L-G) 5kA |
| Total Discharge Current $I_{total}(8/20\mu s)$ | (L-G) 20kA |
| Voltage protection level $U_p(8/20\mu s)$ | (L-L) 85V |
| Voltage protection level $U_p(8/20\mu s)$ | (L-G) 600V |
| Leakage current | <1 μA |
| Response time | 1ns |
| Housing protection grade(accord with IEC60529) | IP 20 |
| Housing material / inflammability grade(UL94) | PA66 / V0 |
| Testing standard | GB/T 18802.21 / IEC 61643-21 |

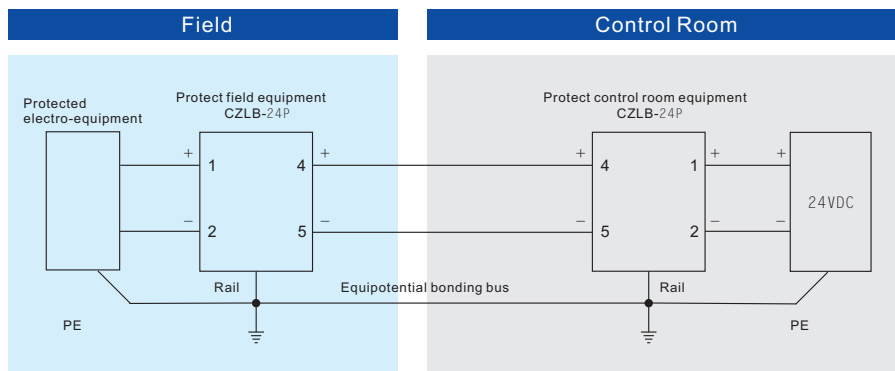
Certification

| | |
|--------------------------------------|--------------------------------------|
| Lighting protection performance test | Shanghai Lightning Protection Center |
|--------------------------------------|--------------------------------------|

Dimensions



Typical application



Shanghai Lightning Protection Center
Lightning protection performance test



China Quality Certification Center
CQC Identification