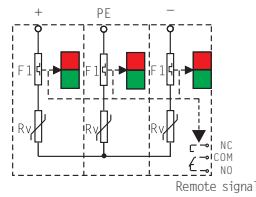


Features

- Status indication:
If the indication window turns red, it needs to be replaced.
- Surge protection module can be replaced online.
- Remote signal function is optional.
Please specify in your orders.

CZLB-1000PV



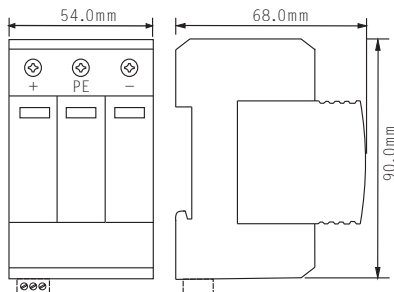
Technical Data

Nominal operating voltage U_n	1000VDC
Max. continuous operating voltage U_c	1200VDC
Nominal discharge current I_n (8/20 μ s)	20kA
Max. discharge current I_{max} (8/20 μ s)	40kA
Voltage protection level U_p	<4000V
Overcurrent protection device	80A
Recommended grounding copper wire diameter	4~35mm ²
Response time	25ns
Leakage current	<10 μ A
Housing protection grade (accord with IEC60529)	IP 20
Housing material / inflammability grade (UL94)	PA66 / V0
Testing standard	GB 18802.1 / IEC 61643-1

Certification

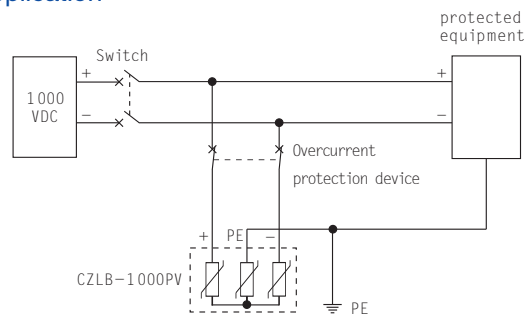
Lighting protection performance test	Shanghai Lightning Protection Center
--------------------------------------	--------------------------------------

Dimensions



68.0mm × 90.0mm × 54.0mm

Typical application



Shanghai Lightning Protection Center China Quality Certification Center
Lighting protection performance test CQC Identification