

# AC power SPD ( T2 ) ( 40kA )

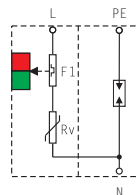
## Features

- Status indication:  
If the indication window turns red, it needs to be replaced.
- Surge protection module can be replaced online.
- Remote signal function is optional.  
Please specify in your orders.
- It is normally installed at the boundary of LPZ1 and LPZ2.

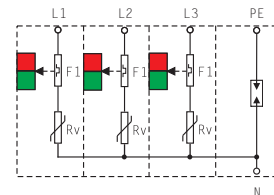
## Technical Data

Nominal operating voltage $U_n$
Max. continuous operating voltage $U_c$
Nominal discharge current $I_n$ ( 8/20 $\mu$ s )
Max. discharge current $I_{max}$ ( 8/20 $\mu$ s )
Voltage protection level Up
Overcurrent protection device
Recommended grounding copper wire diameter
Response time
Leakage current
Housing protection grade ( accord with IEC60529 )
Housing material / inflammability grade ( UL94 )
Testing standard
Suitable for power supply system
<b>Certification</b>
Lighting protection performance test

CZLB-40/440/1P+1



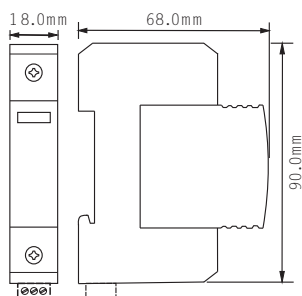
CZLB-40/440/3P+1



	CZLB-60/255	CZLB-40/440		CZLB-60/255	CZLB-40/440
		220VAC			220VAC
	255VAC	440VAC		255VAC	440VAC
	40kA	20kA		40kA	20kA
	60kA	40kA		60kA	40kA
	<1.2kV	<2.2kV		<1.2kV	<2.2kV
		80A			80A
		6~35mm <sup>2</sup>			6~35mm <sup>2</sup>
		25ns			25ns
		<20 $\mu$ A			<20 $\mu$ A
		IP 20			IP 20
		PA66 / V0			PA66 / V0
	GB 18802.1 / IEC 61643-1			GB 18802.1 / IEC 61643-1	
	Single-Phase 2-Wire			Three-Phase 4-Wire ( TT system )	

Shanghai Lightning Protection Center

## Dimensions ( single chip )

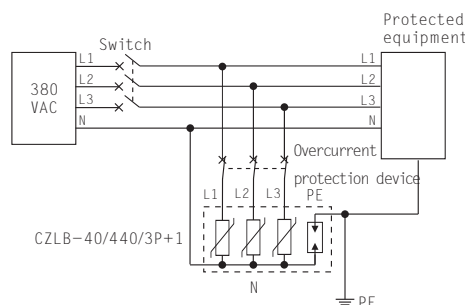
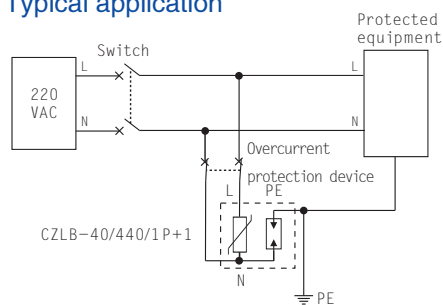


68.0mm × 90.0mm × 36.0mm



68.0mm × 90.0mm × 72.0mm

## Typical application



Three-Phase 4-Wire ( TT system )

Cautions: Users should connect a cascade overcurrent protection device in front of the SPD (eg, air-switch or fuse), in case of SPD getting aged or short-circuited.  
Diameter of copper wire (link to L/N):  $\geq 2.5\text{mm}^2$   
Diameter of copper wire (link to PE):  $\geq 4\text{mm}^2$



Shanghai Lightning Protection Center Lighting protection performance test



China Quality Certification Center CQC Identification