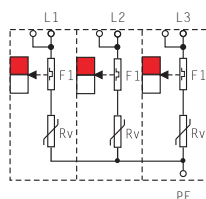


# AC power SPD ( T1 ) ( 160kA )

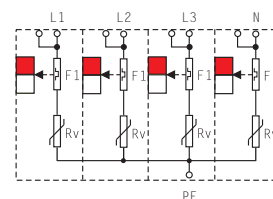
## Features

- Status indication:  
If the indication window turns red, it needs to be replaced.
- T1 SPD: Suitable for general distribution box

CZLB-160/440/3P



CZLB-160/440/4P



## Technical Data

Nominal operating voltage Un	220VAC
Max. continuous operating voltage Uc	440VAC
Nominal discharge current In ( 8/20μs )	80kA
Max. discharge current Imax ( 8/20μs )	160kA
Impulse current Iimp ( 10/350μs )	15kA
Voltage protection level Up	<2.8kV
Overcurrent protection device	200A
Recommended grounding copper wire diameter	10~35mm <sup>2</sup>
Response time	25ns
Housing protection grade ( accord with IEC60529 )	IP 20
Housing material / inflammability grade ( UL94 )	PA66 / V0
Testing standard	GB 18802.1 / IEC 61643-1
Suitable for power supply system	Three-Phase 3-Wire ( IT system ) , Three-Phase 4-Wire ( TN-C system )

Nominal operating voltage Un	220VAC
Max. continuous operating voltage Uc	440VAC
Nominal discharge current In ( 8/20μs )	80kA
Max. discharge current Imax ( 8/20μs )	160kA
Impulse current Iimp ( 10/350μs )	15kA
Voltage protection level Up	<2.8kV
Overcurrent protection device	200A
Recommended grounding copper wire diameter	10~35mm <sup>2</sup>
Response time	25ns
Housing protection grade ( accord with IEC60529 )	IP 20
Housing material / inflammability grade ( UL94 )	PA66 / V0
Testing standard	GB 18802.1 / IEC 61643-1
Suitable for power supply system	Three-Phase 5-Wire ( TN-S system )

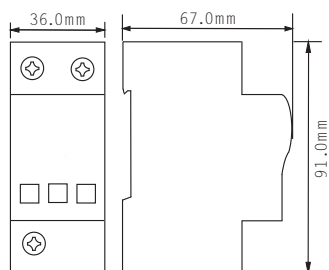
Nominal operating voltage Un	220VAC
Max. continuous operating voltage Uc	440VAC
Nominal discharge current In ( 8/20μs )	80kA
Max. discharge current Imax ( 8/20μs )	160kA
Impulse current Iimp ( 10/350μs )	15kA
Voltage protection level Up	<2.8kV
Overcurrent protection device	200A
Recommended grounding copper wire diameter	10~35mm <sup>2</sup>
Response time	25ns
Housing protection grade ( accord with IEC60529 )	IP 20
Housing material / inflammability grade ( UL94 )	PA66 / V0
Testing standard	GB 18802.1 / IEC 61643-1
Suitable for power supply system	Three-Phase 5-Wire ( TN-S system )

## Certification

Lighting protection performance test

Shanghai Lightning Protection Center

## Dimensions ( single chip )

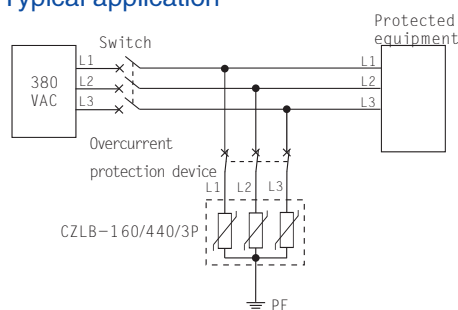


67.0mm × 91.0mm × 108.0mm

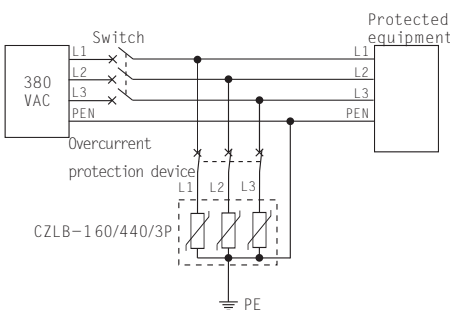


67.0mm × 91.0mm × 144.0mm

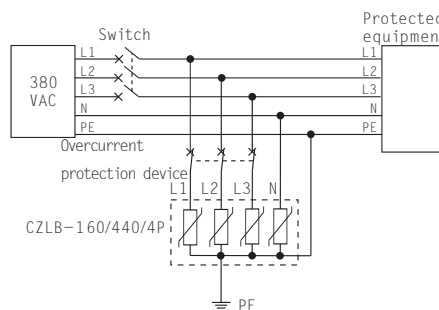
## Typical application



Three-Phase 3-Wire ( IT system )



Three-Phase 4-Wire ( TN-C system )



Three-Phase 5-Wire ( TN-S system )



Shanghai Lightning Protection Center  
Lighting protection performance test

China Quality Certification Center  
CQC Identification

Cautions: Users should connect a cascade overcurrent protection device in front of the SPD(eg,air-switch or fuse), in case of SPD getting aged or short-circuited.

Diameter of copper wire (link to L/N): $\geq 2.5\text{mm}^2$

Diameter of copper wire (link to PE): $\geq 4\text{mm}^2$