

Special Features

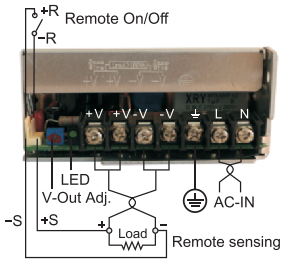
- Constant power
- Wide Range Of AC And DC Input
- Remote control
- Aluminum Frame
- 5 years warranty



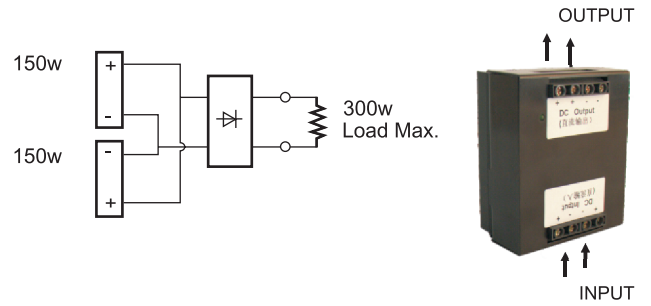
Scan for Product Detail

	CZP-DM-150-24	CZP-DM-150-27.5	CZP-DM-150-48	CZP-DM-150-54
Output				
Max. Output Power	150W	150W	150W	150W
Nominal Output Voltage	24V	27.5V	48V	54V
max. Load Current	6.25A	5.5A	3.1A	2.8A
Efficiency	82/85%	83/86%	83/86%	84/86%
Ripple/Noise	120 mVpp,max	120 mVpp,max	120 mVpp,max	120 mVpp,max
Line Regulation	1%	1%	1%	1%
Load Regulation	1%	1%	1%	1%
Input				
Nominal Input Voltage	100~240V DC	100~240V DC	100~240V DC	100~240V DC
Adjustment Input Voltage Range			85~264V AC or 120~370V DC	
Frequency	47~63Hz	47~63Hz	47~63Hz	47~63Hz
Power Factor	0.99/0.95	0.99/0.95	0.99/0.95	0.99/0.95
Input Current	1.8/0.9A	1.8/0.9A	1.8/0.9A	1.8/0.9A
Leakage Current			0.5/1.1mA(ACIN 100V/240V60Hz Io=100%)	
Inrush Current	ACIN 100V:20A(LO=100% Cold-Start);ACIN200V:40A(Io=100% Cold-Start)			
Safety Function				
Overvoltage Protection	27.6~33.6V	31.6~38.5V	55.2~67.2V	62.1~75.6V
Overload Protection	Yes	Yes	Yes	Yes
Overcurrent Protection			Automatic Restart by more than 110% of rated power	
Overtemperature Protection	Yes	Yes	Yes	Yes
Short Circuit Protection	Yes	Yes	Yes	Yes
Environmental				
Ambient Temperature	-10°~ 70°C	-10°~ 70°C	-10°~ 70°C	-10°~ 70°C
Storage Temperature	-25°~ 85°C	-25°~ 85°C	-25°~ 85°C	-25°~ 85°C
Relative Humidity	20% ~ 95%	20% ~ 95%	20% ~ 95%	20% ~ 95%
max. Altitude	3000 m	3000 m	3000 m	3000 m
General				
Cooling	Natural	Natural	Natural	Natural
Mounting Type				Direct mounting
Connect Type	General screw terminal	General screw terminal	General screw terminal	General screw terminal
Wiring Data	0.15-2.5 mm ² 300VAC	0.15-2.5 mm ² 300VAC	0.15-2.5 mm ² 300VAC	0.15-2.5 mm ² 300VAC
Material	Aluminium	Aluminium	Aluminium	Aluminium
Dimensions (Depth × Height × Width mm)	199*99*45 mm	199*99*45 mm	199*99*45 mm	199*99*45 mm
Weight	1.2 Kg	1.2 Kg	1.2 Kg	1.2 Kg
MTBF (full load, 25° C)			>350,000 Hours at full load at 25°C ambient conditions	
Standard/Specification				
Withstand Voltage			I/P-O/P:AC 3KV;I/P-FG:AC 2KV;O/P-FG:DC 0.5KV	
EMC			compliance with EMC directive 2004/108/EC	

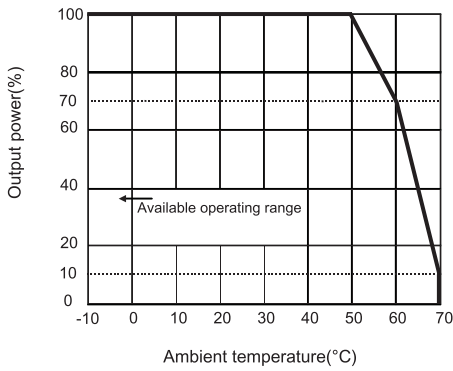
■ Terminal introduction



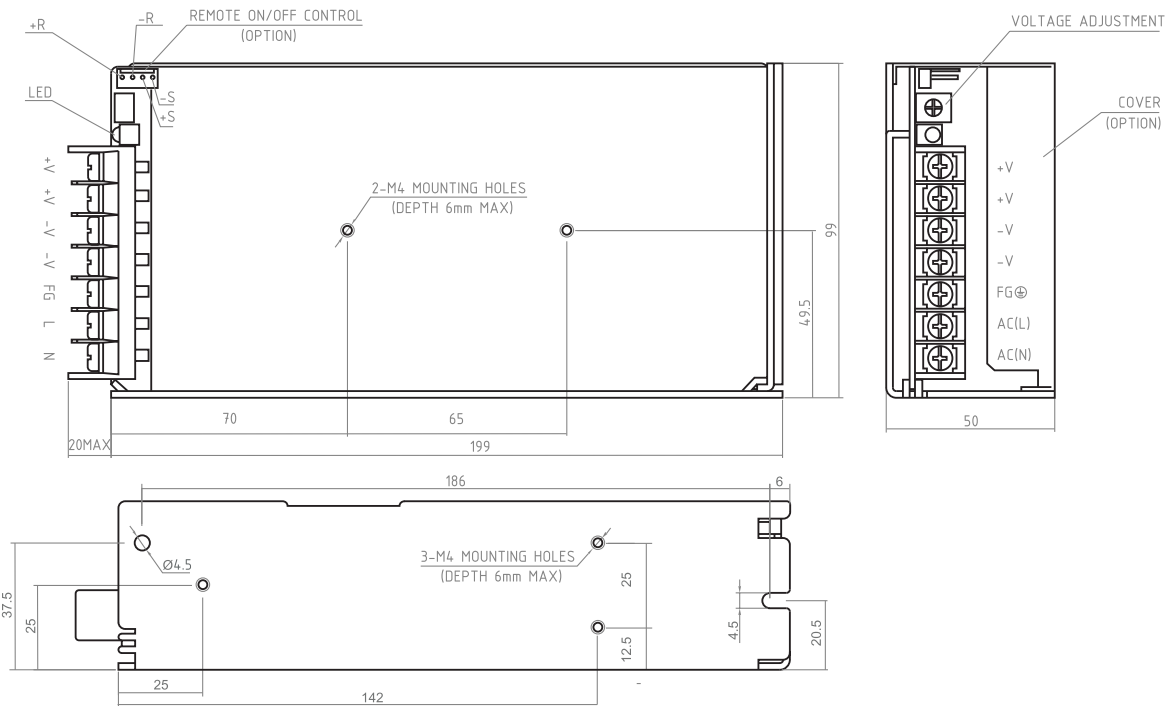
■ Parallel Function Application



■ Derating curve



■ Dimensions



Warning

- Caution: Risk of electric shock. Never carry out work on live parts. Observe mechanical and thermal limits;
- The power supply is maintenance-free. Repairs may only be carried out by manufacturer. The warranty no longer applies if the housing is opened;
- Read this manual carefully before installation or using.