



**Special Features**

- Profile following to IEC439-1 for Low-voltage switchgear and control gear
- Parallel and Serial function
- Convection cooled
- 5 years warranty



Scan for Product Detail

**CZP-DRM-60-12**

**CZP-DRM-60-24**

**Output**

|                                   |
|-----------------------------------|
| Max. Output Power                 |
| Nominal Output Voltage            |
| Adjustment Output Voltage Range   |
| max. Load Current                 |
| Parallel and Serial function      |
| Ripple/Noise                      |
| Line Regulation                   |
| Load Regulation                   |
| Hold-up time (full load, 230 VAC) |
| Indicator                         |

**Input**

|                                |
|--------------------------------|
| Nominal Input Voltage          |
| Adjustment Input Voltage Range |
| Frequency                      |
| Input Current                  |
| Leakage Current                |

**Safety Function**

|                            |
|----------------------------|
| Oversvoltage Protection    |
| Overload Protection        |
| Overcurrent Protection     |
| Overtemperature Protection |
| Short Circuit Protection   |

**Environmental**

|                     |
|---------------------|
| Ambient Temperature |
| Storage Temperature |
| Relative Humidity   |
| max. Altitude       |

**General**

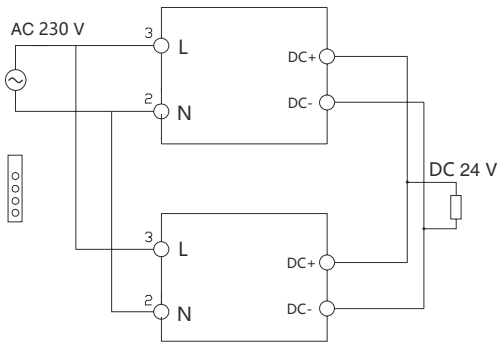
|                                     |
|-------------------------------------|
| Cooling                             |
| Mounting Type                       |
| Connect Type                        |
| Wiring Data                         |
| Dimensions (Depth× Height×Width mm) |
| Weight                              |
| MTBF (full load, 25° C)             |

**Standard/Specification**

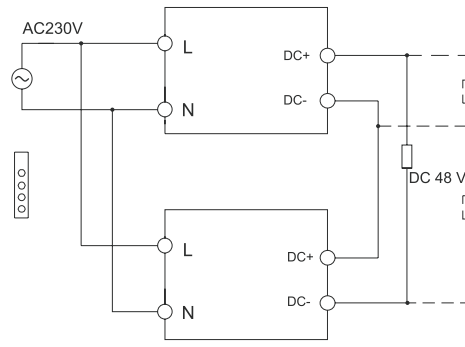
|                         |
|-------------------------|
| EMC                     |
| Harmonic Current Limits |

|  |  |
|--|--|
| 60W  | 60W  |
| 12V  | 24V  |
| 12~15V DC                                  | 24~28V DC                                  |
| 4.5A                                       | 2.5A                                       |
| Yes  | Yes  |
| 40 mVpp,max                                | 40 mVpp,max                                |
| 1%   | 1%   |
| 1%   | 1%   |
| 20ms                                       | 20ms                                       |
| LED indicator for DC-OK, DC-Low            | LED indicator for DC-OK, DC-Low            |
| 100~240V DC                                | 100~240V DC                                |
| 85~264V AC or 120~370V DC                  | 85~264V AC or 120~370V DC                  |
| 47~63Hz                                    | 47~63Hz                                    |
| 1.0/0.58A                                  | 1.1/0.63A                                  |
| 30/60A                                     | 30/60A                                     |
| 16V  | 30V  |
| 68W  | 68W  |
| 6.3A                                       | 3A   |
| Yes  | Yes  |
| Yes  | Yes  |
| -10°~ 70°C                                 | -10°~ 70°C                                 |
| -25°~ 85°C                                 | -25°~ 85°C                                 |
| 5% ~ 95%                                   | 5% ~ 95%                                   |
| 3000 m                                     | 3000 m                                     |
| Natural                                    | Natural                                    |
| DIN-rail mounting to TS35/7.5 or TS35/15   | DIN-rail mounting to TS35/7.5 or TS35/15   |
| General screw terminal                     | General screw terminal                     |
| 0.15-2.5 mm <sup>2</sup> 300VAC            | 0.15-2.5 mm <sup>2</sup> 300VAC            |
| 57*91*71 mm                                | 57*91*71 mm                                |
| 0.25 Kg                                    | 0.25 Kg                                    |
| >350,000 Hours                             | >350,000 Hours                             |
| compliance with EMC directive 2004 /108/EC | compliance with EMC directive 2004 /108/EC |
| compliance with EN61000-3-2, EN61000-3-3   | compliance with EN61000-3-2, EN61000-3-3   |

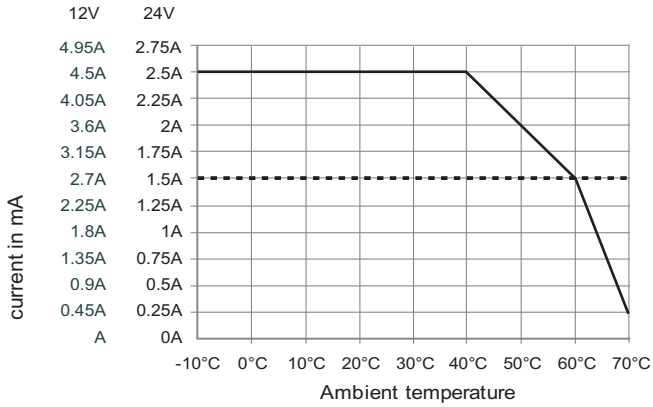
### Parallel Function Application



### Serial Function Application

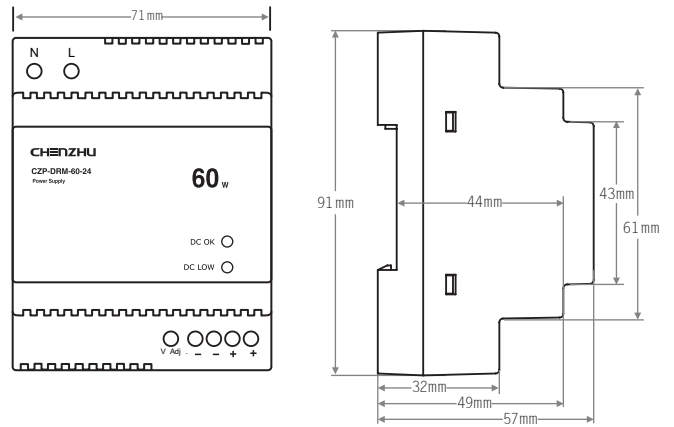


### Derating curve

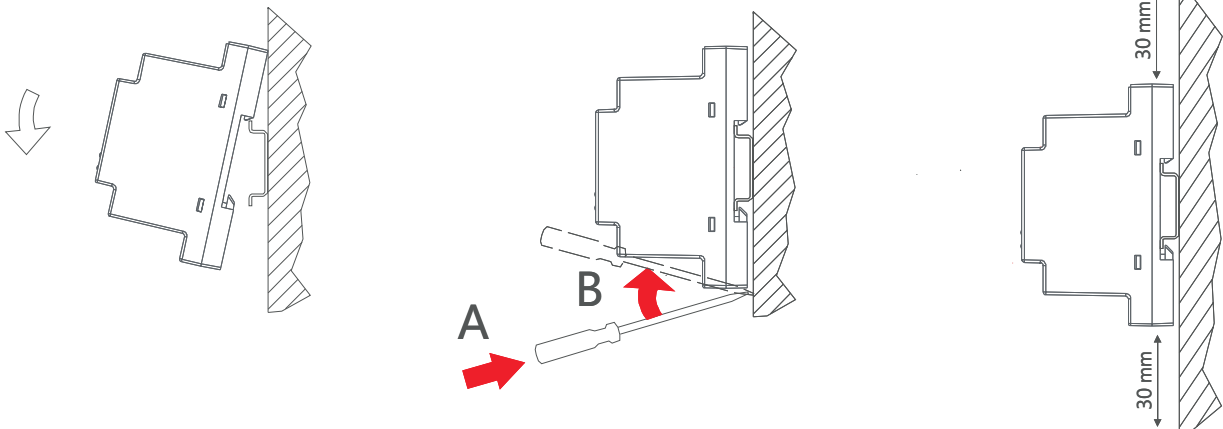


### Dimensions

Depth×Height×Width: 57mm×91mm×71mm



### Installation



### Warning

- Caution: Risk of electric shock. Never carry out work on live parts. Observe mechanical and thermal limits;
- The power supply is maintenance-free. Repairs may only be carried out by manufacturer. The warranty no longer applies if the housing is opened;
- Read this manual carefully before installation or using.