



Special Features

- For Industry automation control cabinet
- Wide Range mounting;Aluminum Frame
- Convection cooled
- Efficiency > 90%
- Over Temp.Over Voltage,Overload,short circuit protection
- 5 years warranty



Scan for Product Detail

Output

Max. Output Power
Nominal Output Voltage
Adjustment Output Voltage Range
max. Load Current
Efficiency
Ripple/Noise
Line Regulation
Load Regulation

Input

Nominal Input Voltage
Adjustment Input Voltage Range
Frequency
Power Factor
Input Current
Leakage Current
Inrush Current

Safety Function

Overvoltage Protection
Overload Protection
Overcurrent Protection
Overtemperature Protection
Short Circuit Protection

Environmental

Ambient Temperature
Storage Temperature
Relative Humidity
max. Altitude

General

Cooling
Mounting Type
Connect Type
Wiring Data
Material
Dimensions (Depth× Height×Width mm)
Weight
MTBF (full load, 25° C)

Standard/Specification

Withstand Voltage
EMC

CZP-DRA-150-12

CZP-DRA-150-24

Max. Output Power	150W	150W
Nominal Output Voltage	12V	24V
Adjustment Output Voltage Range	12~15V DC	24~28V DC
max. Load Current	12.5A	6.3A
Efficiency	90%	92%
Ripple/Noise	100 mVpp,max	180 mVpp,max
Line Regulation	1%	1%
Load Regulation	1%	1%

Nominal Input Voltage	100~240V DC	100~240V DC
Adjustment Input Voltage Range	85~264V AC or 120~370V DC	85~264V AC or 120~370V DC
Frequency	47~63Hz	47~63Hz
Power Factor	0.99/0.95	0.99/0.95
Input Current	1.7/0.85A	1.7/0.85A
Leakage Current	0.5/1.1mA(ACIN 100V/240V60Hz Io=100%)	
Inrush Current	ACIN 100V:20A(LO=100% Cold-Start);ACIN200V:40A(Io=100% Cold-Start)	

Overvoltage Protection	17V	35V
Overload Protection	Yes	Yes
Overcurrent Protection	Automatic Restart by more than 110% of rated power	
Overtemperature Protection	Yes	Yes
Short Circuit Protection	Yes	Yes

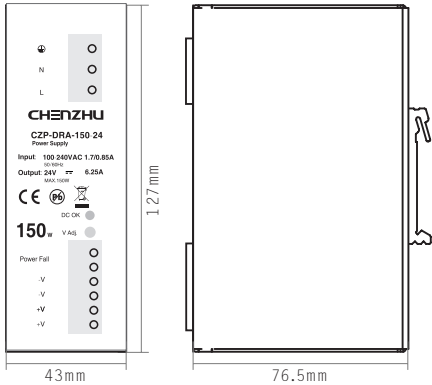
Ambient Temperature	-10° ~ 70°C	-10° ~ 70°C
Storage Temperature	-25° ~ 85°C	-25° ~ 85°C
Relative Humidity	5% ~ 95%	5% ~ 95%
max. Altitude	3000 m	3000 m

Cooling	Natural	Natural
Mounting Type	DIN-rail mounting to TS35/7.5 or TS35/15	DIN-rail mounting to TS35/7.5 or TS35/15
Connect Type	General screw terminal	General screw terminal
Wiring Data	0.15-2.5 mm ² 300VAC	0.15-2.5 mm ² 300VAC
Material	Aluminium	Aluminium
Dimensions (Depth× Height×Width mm)	76.5*127*43 mm	76.5*127*43 mm
Weight	0.5 Kg	0.5 Kg
MTBF (full load, 25° C)	>350,000 Hours at full load at 25°C ambient conditions	

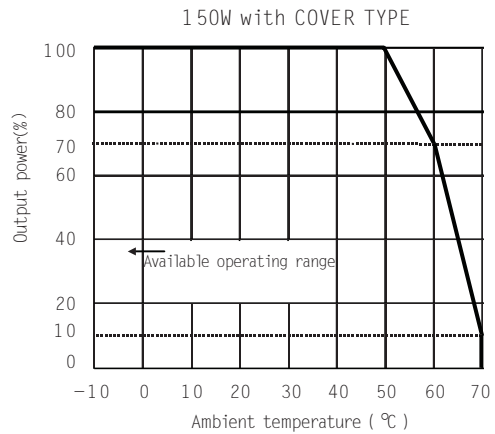
Withstand Voltage	I/P-O/P:AC 3KV;I/P-FG:AC 2KV;O/P-FG:DC 0.5KV	
EMC	compliance with EMC directive 2004/108/EC	

■ Dimensions

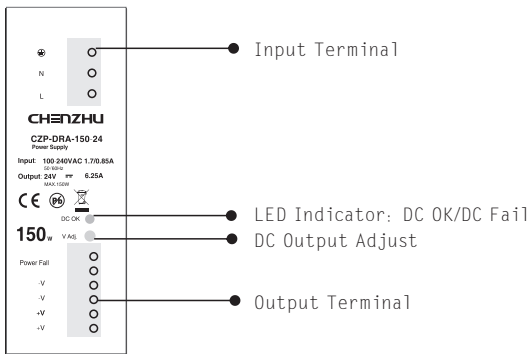
Depth×Height×Width: 57mm×91mm×71 mm



■ Derating curve



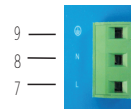
■ Structure diagram



■ Terminal introduction

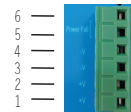
Input Terminal

- 7,8 100~240VAC, 50~60Hz
- 9 Earth Connector

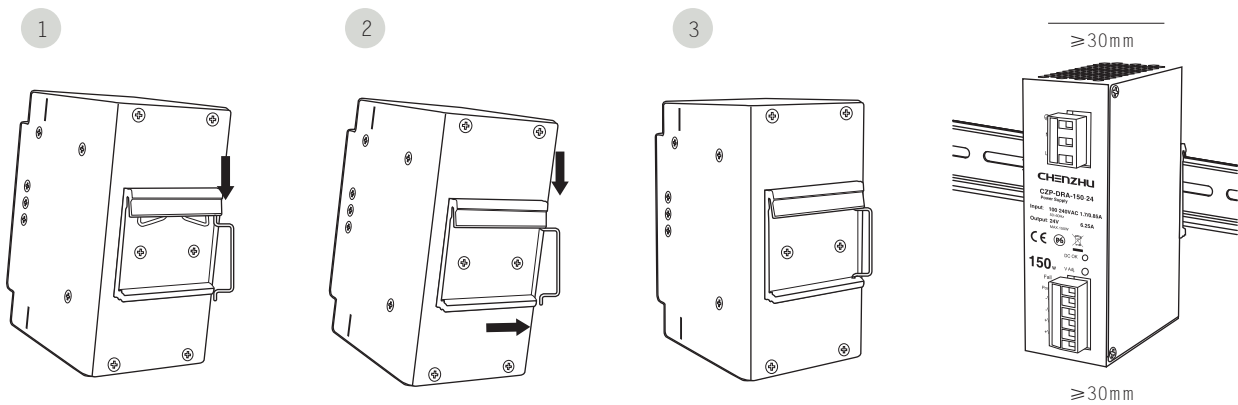


Output Terminal

- 1,2 +V DC
- 3,4 -V DC
- 5,6 if closed, AC=ok
- if open, AC=fail



■ Installation



⚠ Warning

- Caution: Risk of electric shock. Never carry out work on live parts. Observe mechanical and thermal limits;
- The power supply is maintenance-free. Repairs may only be carried out by manufacturer. The warranty no longer applies if the housing is opened;
- Read this manual carefully before installation or using.