



Special Features

- For Industry automation control cabinet
- Wide Range mounting;Aluminum Frame
- Convection cooled
- Efficiency > 90%
- Over Temp.Over Voltage,Overload,short circuit protection
- 5 years warranty

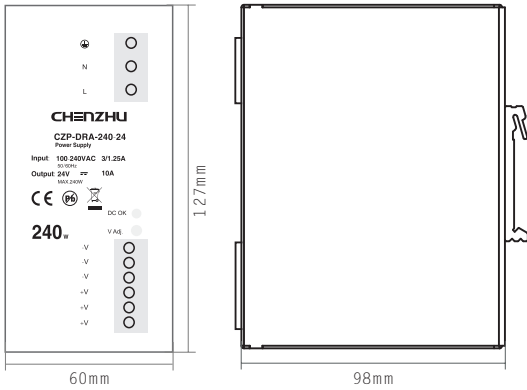


Scan for Product Detail

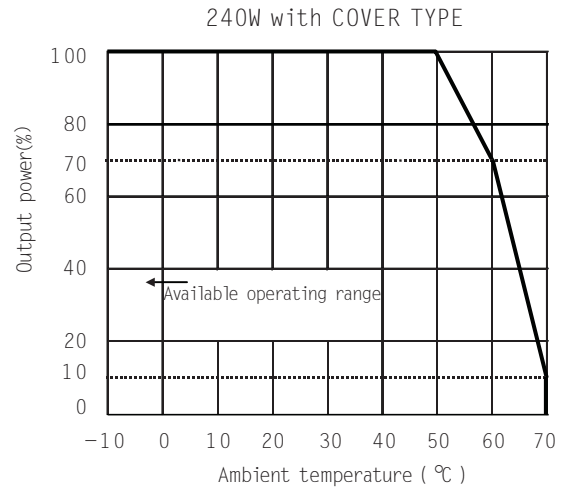
	CZP-DRA-240-12	CZP-DRA-240-24
Output		
Max. Output Power	240W	240W
Nominal Output Voltage	12V	24V
Adjustment Output Voltage Range	12~15V DC	24~28V DC
max. Load Current	20A	10A
Efficiency	90%	92%
Ripple/Noise	100 mVpp,max	180 mVpp,max
Line Regulation	1%	1%
Load Regulation	1%	1%
Input		
Nominal Input Voltage	100~240V DC	100~240V DC
Adjustment Input Voltage Range	85~264V AC or 120~370V DC	85~264V AC or 120~370V DC
Frequency	47~63Hz	47~63Hz
Power Factor	0.99/0.95	0.99/0.95
Input Current	2.9/1.4A	2.9/1.4A
Leakage Current	0.5/1.1mA(ACIN 100V/240V60Hz Io=100%)	
Inrush Current	ACIN 100V:20A(LO=100% Cold-Start);ACIN200V:40A(Io=100% Cold-Start)	
Safety Function		
Overvoltage Protection	17V	35V
Overload Protection	Yes	Yes
Overcurrent Protection	Automatic Restart by more than 110% of rated power	
Overtemperature Protection	Yes	Yes
Short Circuit Protection	Yes	Yes
Environmental		
Ambient Temperature	-10°~ 70°C	-10°~ 70°C
Storage Temperature	-25°~ 85°C	-25°~ 85°C
Relative Humidity	5% ~ 95%	5% ~ 95%
max. Altitude	3000 m	3000 m
General		
Cooling	Natural	Natural
Mounting Type	DIN-rail mounting to TS35/7.5 or TS35/15	DIN-rail mounting to TS35/7.5 or TS35/15
Connect Type	General screw terminal	General screw terminal
Wiring Data	0.15-2.5 mm ² 300VAC	0.15-2.5 mm ² 300VAC
Material	Aluminium	Aluminium
Dimensions (Depth× Height×Width mm)	98*127*60 mm	98*127*60 mm
Weight	0.71 Kg	0.71 Kg
MTBF (full load, 25° C)	>350,000 Hours at full load at 25°C ambient conditions	
Standard/Specification		
Withstand Voltage	I/P-O/P:AC 3KV;I/P-FG:AC 2KV;O/P-FG:DC 0.5KV	
EMC	compliance with EMC directive 2004/108/EC	

■ Dimensions

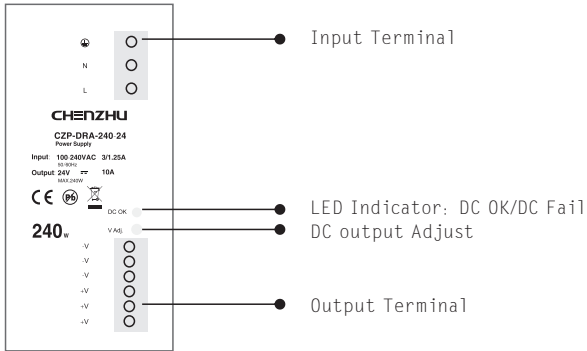
Depth×Height×Width: 98mm×127mm×60 mm



■ Derating curve



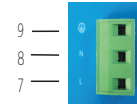
■ Structure diagram



■ Terminal introduction

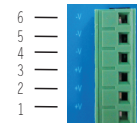
Input Terminal

- 7,8 100~240VAC, 50~60Hz
- 9 Earth Connector

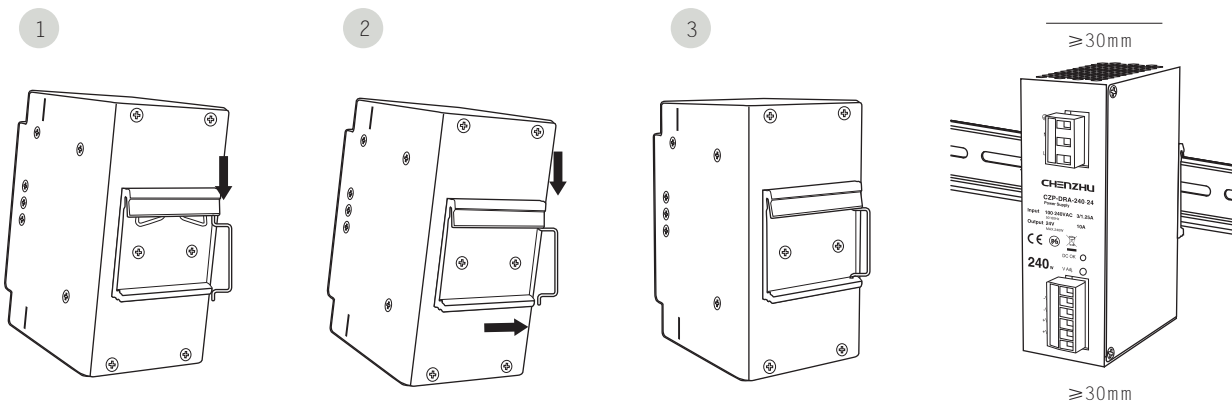


Output Terminal

- 1,2,3 +V DC
- 4,5,6 -V DC



■ Installation



Warning

- Caution: Risk of electric shock. Never carry out work on live parts. Observe mechanical and thermal limits;
- The power supply is maintenance-free. Repairs may only be carried out by manufacturer. The warranty no longer applies if the housing is opened;
- Read this manual carefully before installation or using.